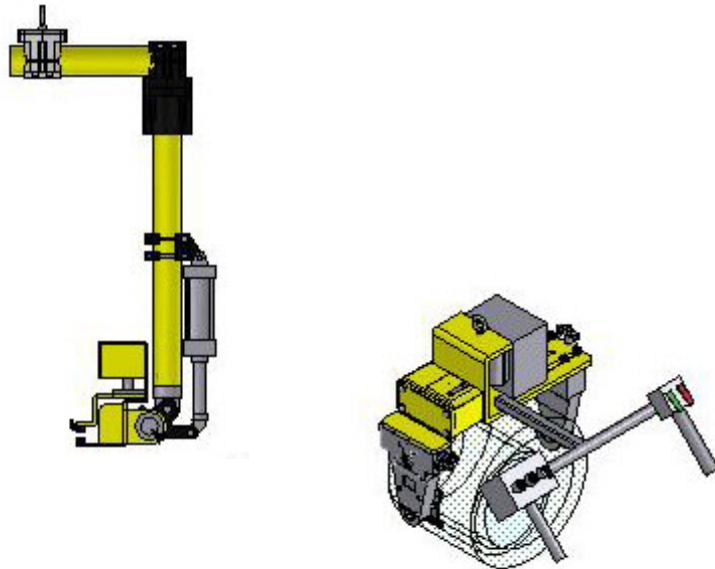


# End Effectors

## Features:

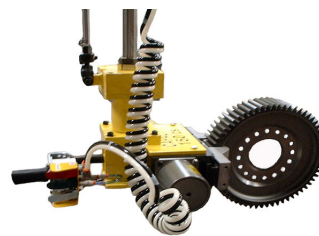
- ◆ Standard & custom end effectors available
- ◆ Safely & efficiently handle any type of load
- ◆ Pneumatic, vacuum, magnetic or manual
- ◆ Combinations available to suit your application
- ◆ Loads can be tilted, inverted, or simply picked and placed



AIMCO has extensive experience in the design and manufacture of end effector tooling, from simple configurations to the complex. AIMCO provides a variety of both standard and custom designed tooling to safely and efficiently handle any type of load.

Physical clamping, vacuum technology, magnetic, manual or any combination to suit the application is provided by AIMCO.

AIMCO provides control packages that are designed for reliable product handling and can be supplied to manipulate loads in a variety of ways. Loads can be tilted, inverted, or simply picked and placed.



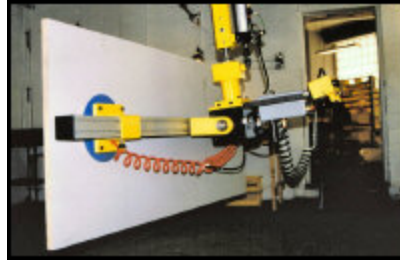
**AIMCO Manufacturing can customize its standard designs of lift assist equipment to suit your application**



# End Effectors



Bumper Handling



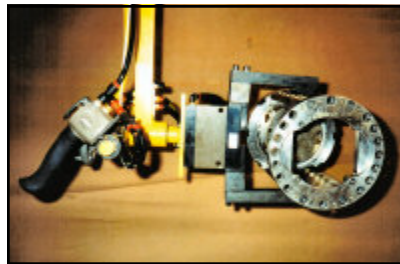
Solid Surface Lifting

## End Effector Types

- ◆ Pneumatic
- ◆ Vacuum
- ◆ Magnetic
- ◆ Manual
- ◆ Physical Clamping
- ◆ Any Combination



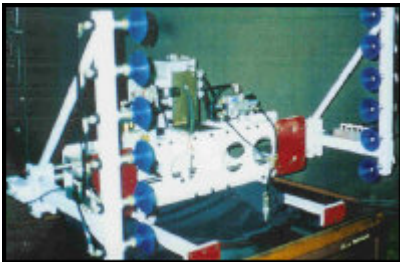
Drum Handling



Tool Fixture Handling

## The AIMCO Advantage

- ◆ Increased Productivity
- ◆ Ease of Movement & Positioning
- ◆ Enhanced Operator Safety
- ◆ Reduced Operator Fatigue
- ◆ Improved Work Force Utilization
- ◆ Protection of Delicate Payloads
- ◆ Increased Quality
- ◆ Increased Profits



Appliance/TV Handling



Custom Parts Handling



Pinion Shaft Gripper



Package Handling



203 Matzinger Road Toledo, OH 43612

Phone: 419-478-4851 Fax: 419-476-1324

[www.AimcoManufacturing.com](http://www.AimcoManufacturing.com)