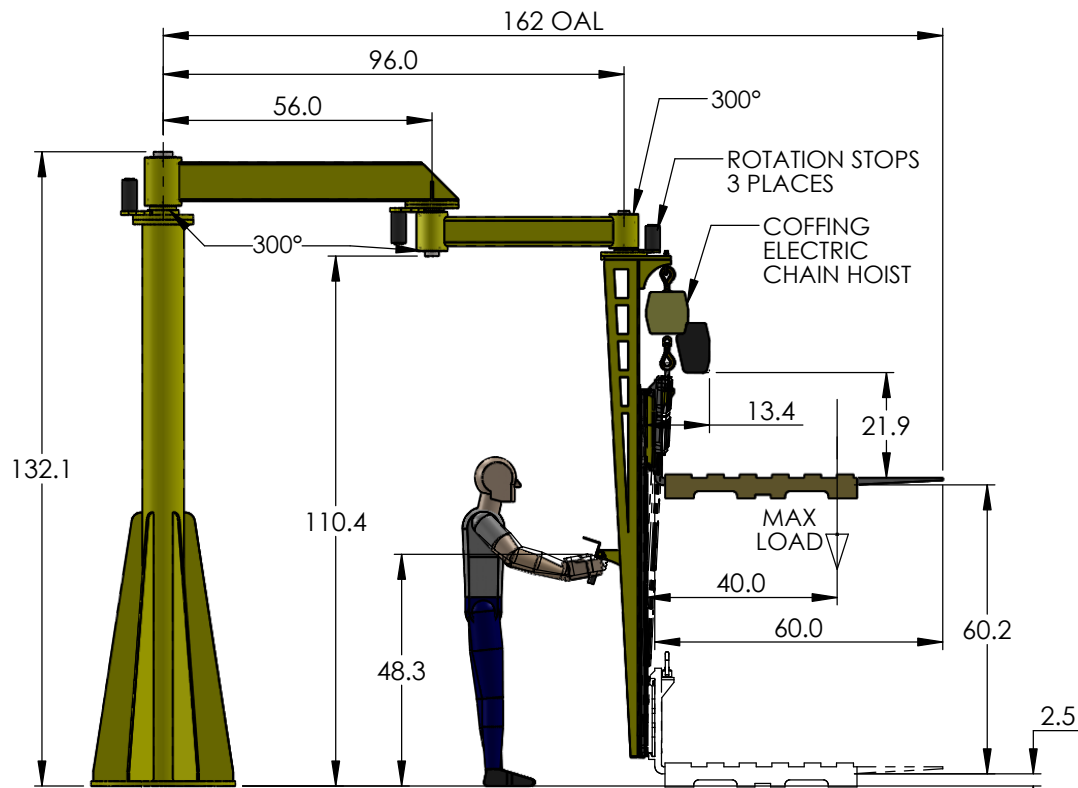
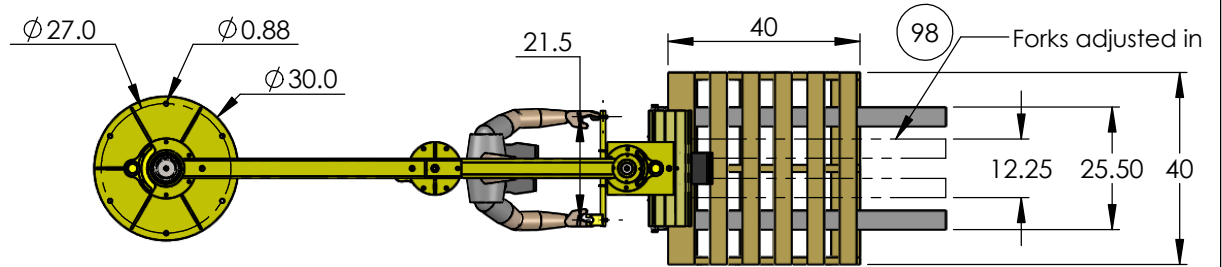
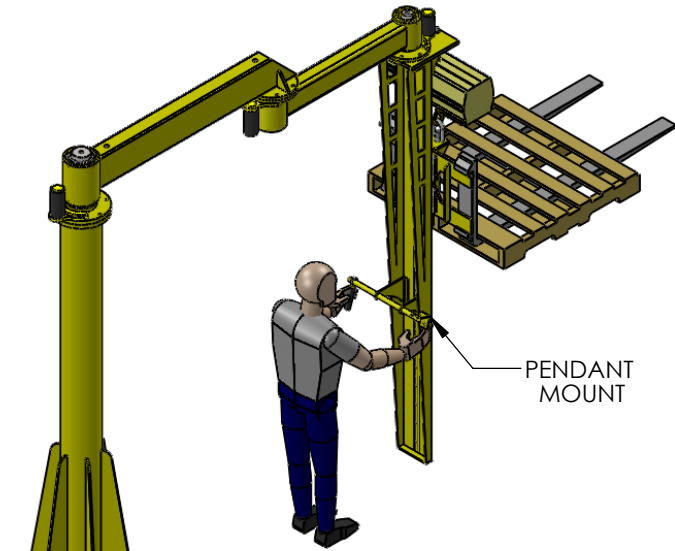


REVISIONS				
ZONE	REV.	DESCRIPTION	DATE	APPROVED
	98	Capacity 200 lbs was 500 lbs, 12.25" shown for fork adjustment		
	97	350 lb Cap was 200 lb	04-29-14	MTS



CUSTOMER APPROVAL

COMPANY: _____

DATE: _____

SIGNATURE: _____

APPROVED AS IS:

NOT APPROVED:

APPROVED AS NOTED:

HAJ500-8P, SL500-60, NMG200-2F
 CAPACITY: 350 lbs
 SYSTEM POWER: 480V - 3PH - 60HZ

98

97

HARDWARE IS NOT SHOWN

<small>THE DRAWING CONTAINS INFORMATION PROPRIETARY TO AIMCO AND SHALL NOT BE DISCLOSED FOR ANY PURPOSE NOR USED FOR MANUFACTURING PURPOSES WITHOUT THE WRITTEN PERMISSION OF AIMCO</small>		DIMENSIONS ARE IN INCHES TOLERANCES: FRACTIONAL ± 1/16 ANGULAR: MACH 1 DEG ± BEND ± 1 DEG ONE PLACE DECIMAL ± .125 TWO PLACE DECIMAL ± .030 THREE PLACE DECIMAL ± .010
DRAWN BY:	MTS	
DATE:	4/29/2014	
DO NOT SCALE DRAWING		

		AIMCO MANUFACTURING 203 MATZINGER RD TOLEDO, OH 43612 FAX # (419) 476-1324 PHONE (419) 478-4851
CUSTOMER:		
TITLE: AIM6004-Approval		REV 97
SCALE: NONE	DRAWING NO.	SHEET 1 OF 1